

Owners Details

Name: **Mr & Mrs Client**
 Address: **PO Box 1 Howard Springs NT 0835**
 Telephone: **0402 480 973**
 Email: **info@travellingweigh.com.au**

Caravan Details

Registration Number:

Make and Model: **2021 Sunseeker Caravan**

Compliance Plate: Payload: **700** AGL: **3500** TBM: **350**
 TARE: **2800** GTM: **3320** ATM: **3500**

Caravan Included Load At Time Of Measurement

Water Tanks Full	Gas Tanks Full	Camping Gear	Cooking Gear	Bedding /Towels
	Clothing	Food and Drinks		
Hoses/Leads/Chocks	Jockey Wheel	Soda Stream	Cast Iron Frypan	Playstation

Tow Vehicle Details

Registration Number:

Make and Model: **2022 Y62 Patrol**

Compliance Plate: BTC: **3500** GVM: **3500** GCM: **7000**
 Front Axle: **1650** Rear Axle: **2030**

Tow Vehicle Included Load At Time Of Measurement

2 Passengers	Fuel Tank Full	Tool kit		
Tools 50kg approx	Water 10L	Empty Esky	Blankets etc	First Aid Kit

Measurement Date

Date: **6/09/2023** Time: **9:51 AM** Operator: **Cameron Dyal**

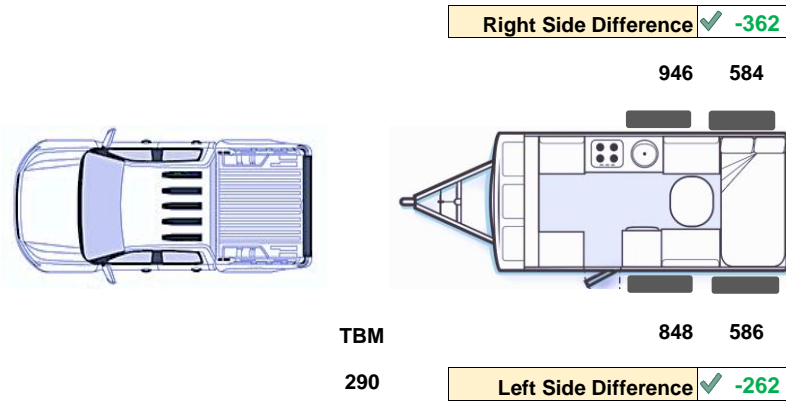
This advisory weighing document cannot be used for certification or registration purposes.
 The Travelling Weigh accepts no responsibility or liability for changes in vehicle weights after the issue of these documents.

Scale Number: **AC 20220822007**

Phone: 0402 480 973
 Po Box 651 North Lakes QLD 4509

ABN 46 662 680 882

BASE WEIGHING REPORT CARAVAN



Caravan	Compliance Plate	Actual Weight	Result
TBM: Towball Mass	350	290	✓ -60
GTM: Gross Trailer Mass	3320	2964	✓ -356
ATM: Aggregate Trailer Mass	3500	3254	✓ -246
Towball Mass Percentage	TBM is		8.9% % of Caravan ATM

Caravan Compliance & Safety Checklist:	Yes/No
- Rear Overhang must not exceed length of load space forward of the centre of the axle/s or 3.7 metres (whichever is LESS)	Yes
- "Do not overtake turning vehicle" sticker attached to Caravan	No
- Number Plate of Caravan not more than 1.3 metres from ground	Yes
- Number plate visible from 20 metres away and at an arc of 45 degrees from the surface of the number plate above or to either side	No
- Caravan Drawbar not more than 8.5 metres and overall length not more than 12.5 metres (with car not more than 19 metres)	Yes
- Check Towball and Hitch are securely mounted to tow hitch receiver	Yes

Measurement Date

Date: **6/09/2023**

Time: **9:51 AM**

Operator: **Cameron Dyal**

This advisory weighing document cannot be used for certification or registration purposes.

The Travelling Weigh accepts no responsibility or liability for changes in vehicle weights after the issue of these documents.

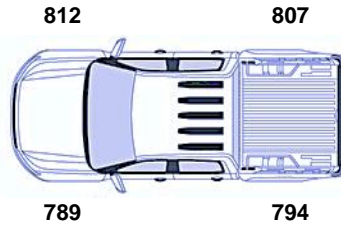
Scale Number: **AC 20220822007**

Phone: 0402 480 973

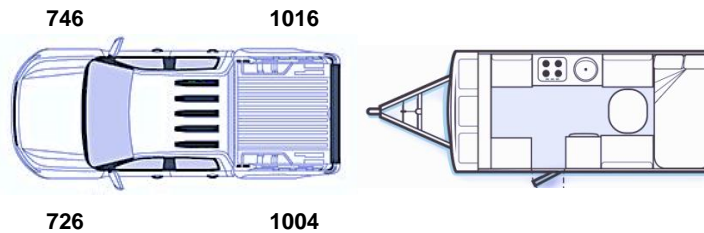
Po Box 651 North Lakes QLD 4509

ABN 46 662 680 882

BASE WEIGHING REPORT TOW VEHICLE



<i>Tow Vehicle (On it's Own)</i>	Compliance Plate	Actual Weight	Result
GVM: Gross Vehicle Mass	3500	3202	✓ -298
Front Axle: Vehicle Only	1650	1601	✓ -49
Rear Axle: Vehicle Only	2030	1601	✓ -429



<i>Tow Vehicle in Combination</i>	Compliance Plate	Actual Weight	Available Payload
BTC: Braked Towing Capacity	3500	3254	✓ -246
GVM: Gross Vehicle Mass In Combination	3500	3492	✓ -8
GCM: Gross Combination Mass	7000	6456	✓ -544
Front Axle: In Combination	1650	1471	✓ 179
Rear Axle: In Combination	2030	2021	✓ 9

Measurement Date

Date: **6/09/2023**

Time: **9:51 AM**

Operator:

Cameron Dyal

This advisory weighing document cannot be used for certification or registration purposes.

The Travelling Weigh accepts no responsibility or liability for changes in vehicle weights after the issue of these documents.

Scale Number: **AC 20220822007**

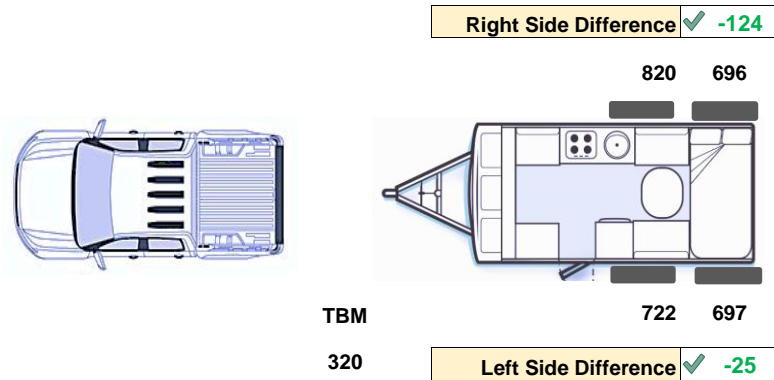
Phone: 0402 480 973

Po Box 651 North Lakes QLD 4509

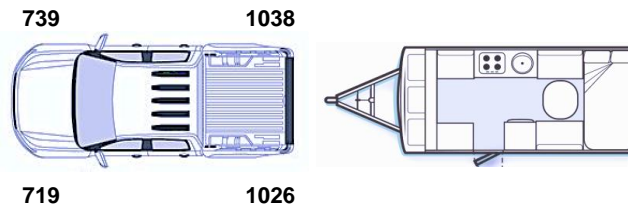
ABN 46 662 680 882

VARIATION 1 WEIGHING REPORT

Variation : 100mm Tow Ball RAISE



Caravan	Compliance Plate	Actual Weight	Result
TBM: Towball Mass	350	320	✓ -30
GTM: Gross Trailer Mass	3320	2935	✓ -385
ATM: Aggregate Trailer Mass	3500	3255	✓ -245
Towball Mass Percentage	TBM is 9.8% % of Caravan ATM		



Tow Vehicle in Combination	Compliance Plate	Actual Weight	Available Payload
BTC: Braked Towing Capacity	3500	3255	✓ -245
GVM: Gross Vehicle Mass In Combination	3500	3522	✗ 22
GCM: Gross Combination Mass	7000	6457	✓ -543
Front Axle: In Combination	1650	1458	✓ 192
Rear Axle: In Combination	2030	2064	✗ -34

Measurement Date

Date: 6/09/2023

Time: 9:51 AM

Operator:

Cameron Dyal

This advisory weighing document cannot be used for certification or registration purposes.

The Travelling Weigh accepts no responsibility or liability for changes in vehicle weights after the issue of these documents.

Scale Number: AC 20220822007

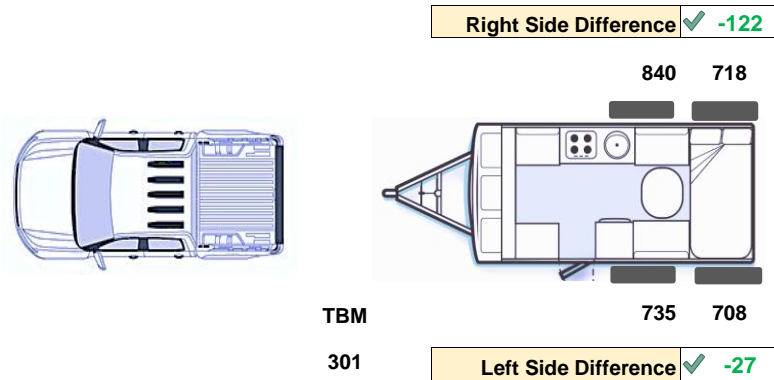
Phone: 0402 480 973

Po Box 651 North Lakes QLD 4509

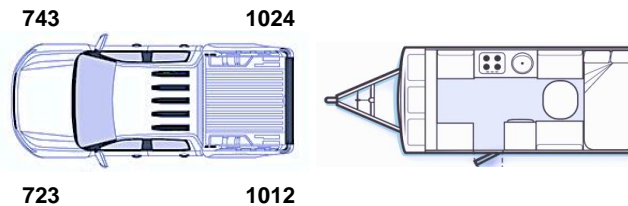
ABN 46 662 680 882

VARIATION 2 WEIGHING REPORT

Variation: Above + Move Recovery & Tools from Car TO VAN



Caravan	Compliance Plate	Actual Weight	Result
TBM: Towball Mass	350	301	✓ -49
GTM: Gross Trailer Mass	3320	3001	✓ -319
ATM: Aggregate Trailer Mass	3500	3302	✓ -198
Towball Mass Percentage	TBM is 9.1% % of Caravan ATM		



Tow Vehicle in Combination	Compliance Plate	Actual Weight	Available Payload
BTC: Braked Towing Capacity	3500	3302	✓ -198
GVM: Gross Vehicle Mass In Combination	3500	3503	✗ 3
GCM: Gross Combination Mass	7000	6504	✓ -496
Front Axle: In Combination	1650	1466	✓ 184
Rear Axle: In Combination	2030	2037	✗ -7

Measurement Date

Date: **6/09/2023**

Time: **9:51 AM**

Operator:

Cameron Dyal

This advisory weighing document cannot be used for certification or registration purposes.

The Travelling Weigh accepts no responsibility or liability for changes in vehicle weights after the issue of these documents.

Scale Number: **AC 20220822007**

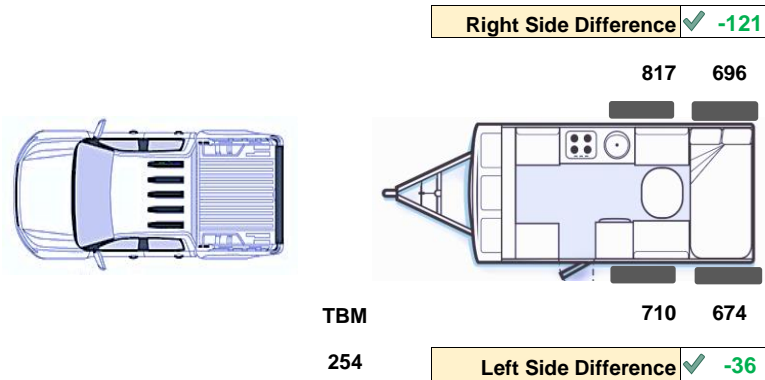
Phone: 0402 480 973

Po Box 651 North Lakes QLD 4509

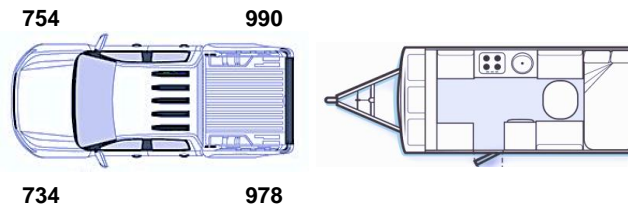
ABN 46 662 680 882

VARIATION 3 WEIGHING REPORT

Variation: Above Changes + NO WATER



Caravan	Compliance Plate	Actual Weight	Result
TBM: Towball Mass	350	254	✓ -96
GTM: Gross Trailer Mass	3320	2897	✓ -423
ATM: Aggregate Trailer Mass	3500	3151	✓ -349
Towball Mass Percentage	TBM is 8.1% % of Caravan ATM		



Tow Vehicle in Combination	Compliance Plate	Actual Weight	Available Payload
BTC: Braked Towing Capacity	3500	3151	✓ -349
GVM: Gross Vehicle Mass In Combination	3500	3456	✓ -44
GCM: Gross Combination Mass	7000	6353	✓ -647
Front Axle: In Combination	1650	1487	✓ 163
Rear Axle: In Combination	2030	1969	✓ 61

Measurement Date

Date: 6/09/2023

Time: 9:51 AM

Operator:

Cameron Dyal

This advisory weighing document cannot be used for certification or registration purposes.

The Travelling Weigh accepts no responsibility or liability for changes in vehicle weights after the issue of these documents.

Scale Number: AC 20220822007

Phone: 0402 480 973

Po Box 651 North Lakes QLD 4509

ABN 46 662 680 882